



Owner's Manual



42" & 36" Star 4

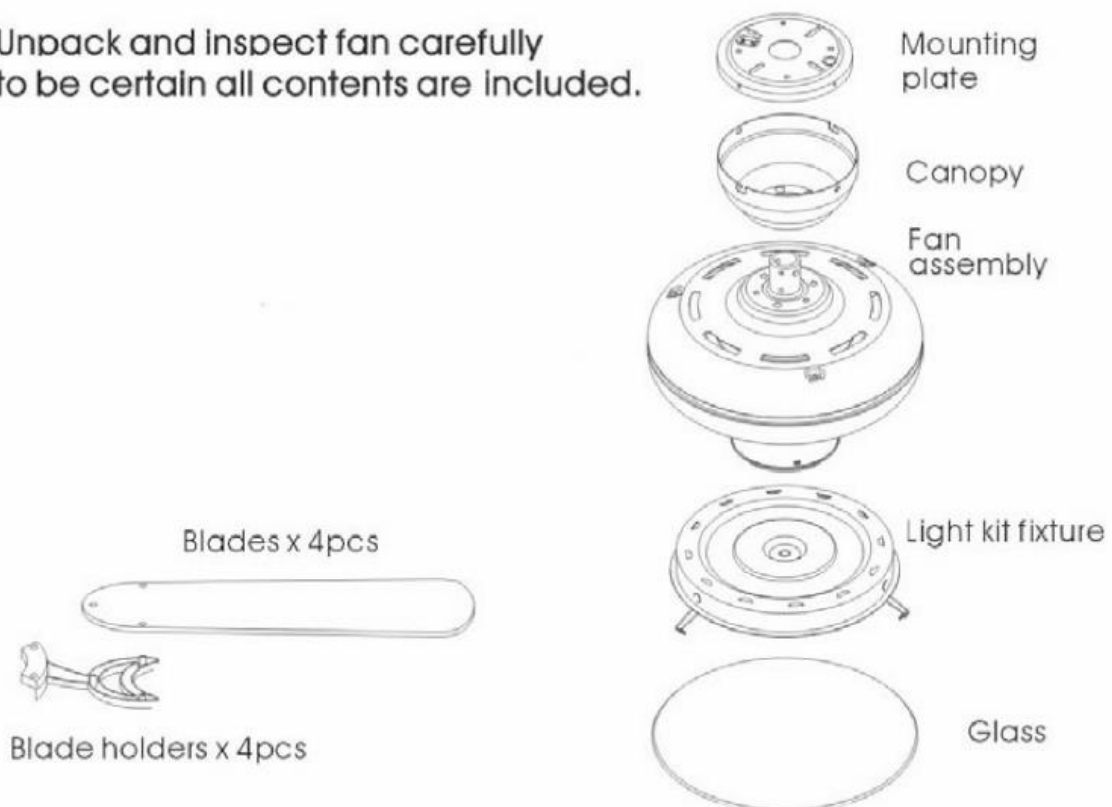
Warning: Read and follow these instructions carefully and be mindful of all warnings shown throughout

WARNING : TO REDUCE THE RISK OF FIRE, ELECTRICAL SHOCK, OR INJURYS,

PLEASE OBSERVE THE FOLLOWING :

- 1]. To ensure the success of the installation, be sure to read the instructions and review the diagrams thoroughly before beginning.
- 2]. To avoid possible electric shock, be sure electricity is turned off at the main power box before wiring. All electrical connections must be made in accordance with local codes, ordinances and/or the National Electric Code. If you are unfamiliar with the methods of installing electrical wiring and products, secure the services of a qualified and licensed electrician as well as someone who can check the strength of the supportive ceiling members and make the proper installations and connections.
- 3]. Make sure that your installation site will not allow rotating fan blades to come in contact with any object. Blades should be at least 7 feet from the floor when the fan is in operation.
- 4]. If possible, mount ceiling fan on a ceiling joist - the joist must be able to support the motion and weight of the moving fan. If the fan will be mounted on a ceiling outlet box, make sure it will support at least 20kg. The box and its supporting members must not be able to twist or work loose. **DO NOT USE PLASTIC BOXES.** Installation on a concrete ceiling should be performed by qualified personnel.
- 5]. Fan motor housing should be kept in carton until ready to be installed to protect its finish. If you are installing more than one ceiling fan, make sure that you do not mix fan blade sets.
- 6]. After making electrical connections, spliced conductors should be turned upward and pushed carefully up into outlet box. The wires should be spread apart with the grounded conductor and the equipment - grounding conductor on one side of the outlet box and the " HOT " wires on the other side.
- 7]. Electrical diagrams with various different colors are for reference only. Make sure that the fan voltage (240) is compatible with your own electrical system.
- 8]. After fan is completely installed, check to make sure that all connections are secure to prevent fan from falling and/or causing damage or injury.

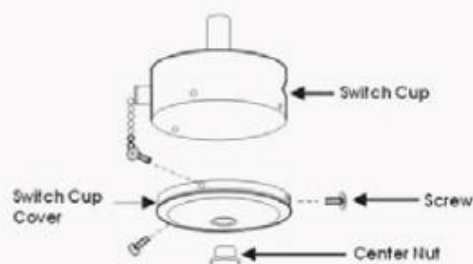
1. Unpack and inspect fan carefully
to be certain all contents are included.



11. Light Kit Installation

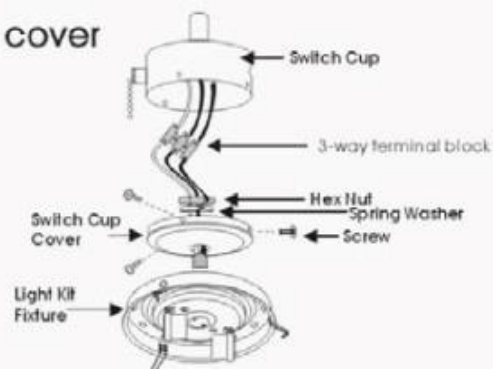
1. Remove switch up cover

- (1) Detach The Switch Cup Cover from the fan. It is held in place by three screws.
- (2) Remove the center nut from the Switch Cup Cover.



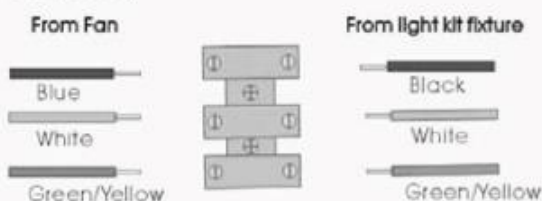
2. Install light kit fixture to switch up cover

Insert wires from Light Kit through center hole of Switch Cup Cover.
Thread the Light Kit onto Switch Cup Cover and secure with Spring Washer and Hex Nut provided light kit.



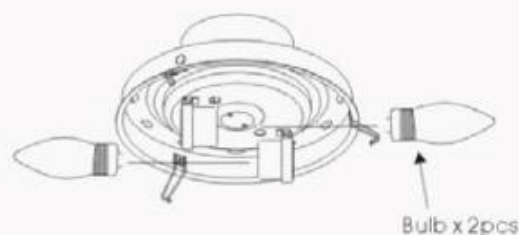
3. Wire diagram

Follow wire diagram as below and tighten each screw firmly.



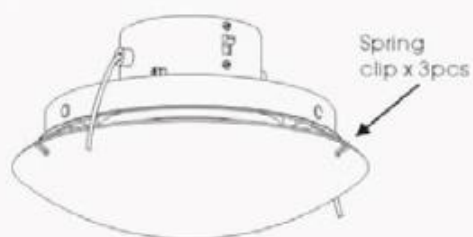
Install switch cup cover with light kit fixture back to switch housing by the 3 screws you take off on step 1.

4. Install light bulbs



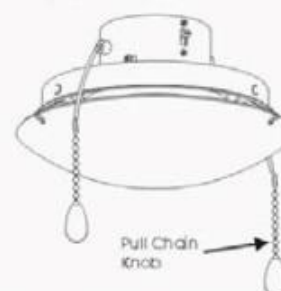
Install bulbs (2) to lamp holders on light kit fixture.
(Bulbs are not included, max. 100 Watts)

5. Install glass



Install the glass into light kit fixture by 3 spring clips.

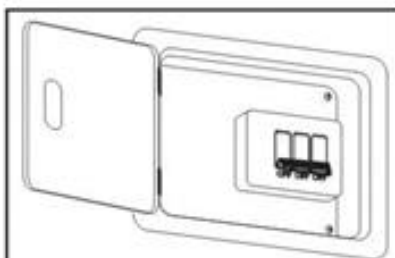
6. Install pull chain knobs



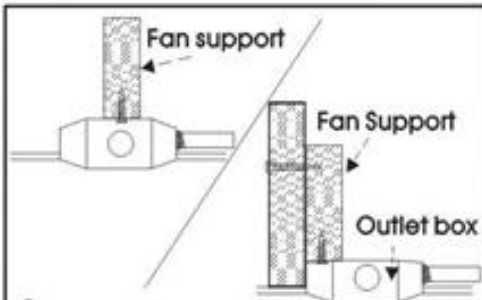
Connect Both pull chain knobs to pull chain for fan & light kits.

Turn the power on - your fan is ready for operation.

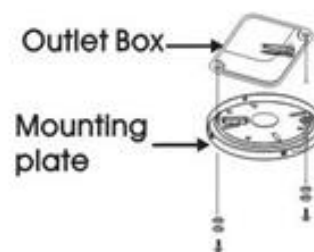
The Henley Fan Company Ltd
Unit 1, 22 Harrison Close, Twyford, Berkshire, RG10 0LL



2.
Turn off power at breaker box to avoid possible electrical shock.



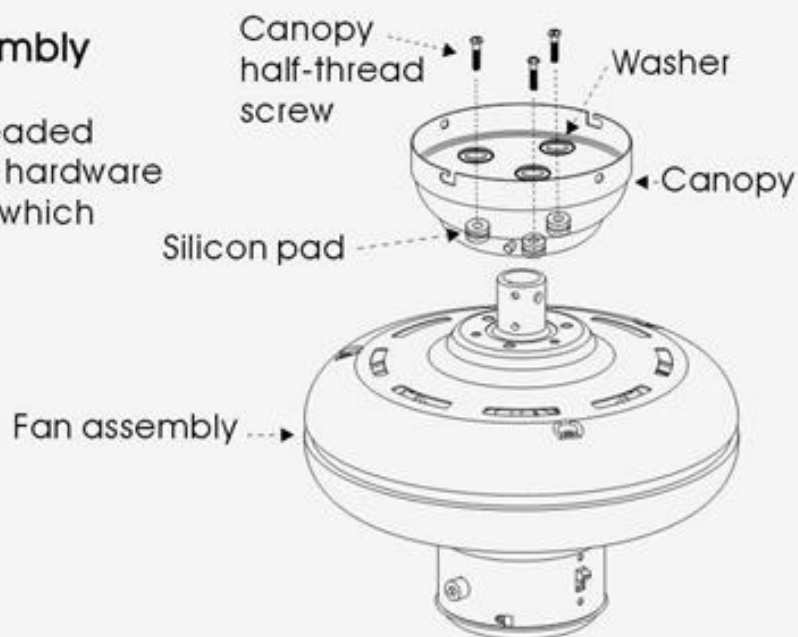
3.
Use metal outlet box suitable for fan support. Secure outlet box directly to the building structure using wood screws (included). Outlet box must support 40 lbs min.



4.
Install mounting plate to Outlet box in ceiling using washers and the mounting screws provided with the outlet box.

5. Yoke & Canopy Assembly

Fasten 3 canopy half-threaded screws with washers from hardware bag through silicon pads which attached on canopy to fan assembly firmly.



In case that your fan have downrod, please follow this instructions

This fan has two installation options and may be installed one of two ways.

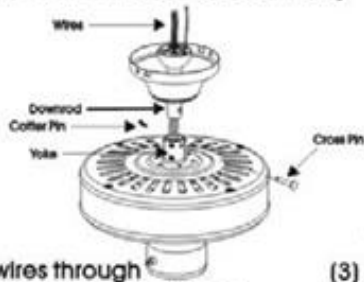
5a. Downrod type



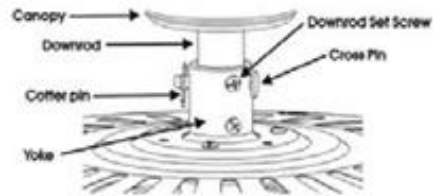
5b. Hugger type



5a-1. Yoke & Downrod Assembly



- (1) Feed motor lead wires through Downrod / Canopy assembly and insert Downrod into motor Yoke.



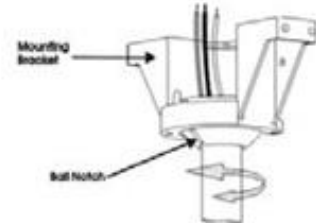
insert the cross pin through Yoke & Downrod and secure with Cotter Pin.

- (3) Tighten both Downrod Set Screws to further secure Downrod.

5a-2. Hanging the fan



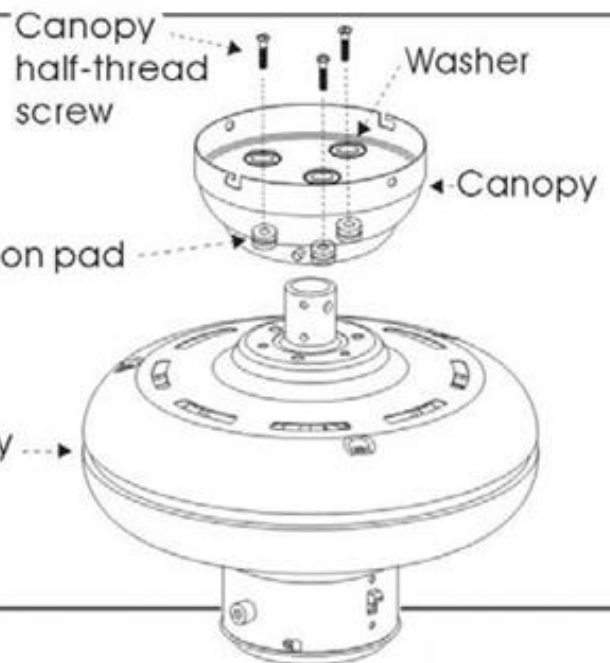
Lift fan assembly onto mounting bracket.



Carefully lift fan assembly onto mounting bracket. Rotate fan so that the notch on the ball engages the ridge in the mounting bracket.

5b. Yoke & Canopy Assembly

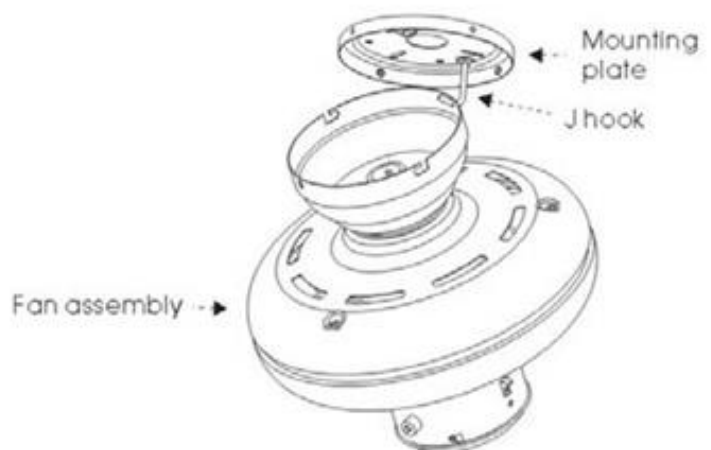
Fasten 3 canopy half-threaded screws with washers from hardware bag through silicon pads which attached on canopy to fan assembly firmly.



Fan assembly ...

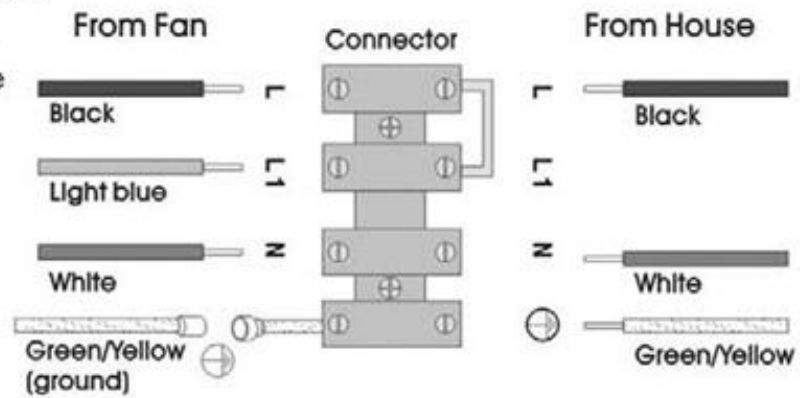
6. Hanging the fan

Lift the fan assembly to hang into the J hook on mounting plate.



7. Make wire connection

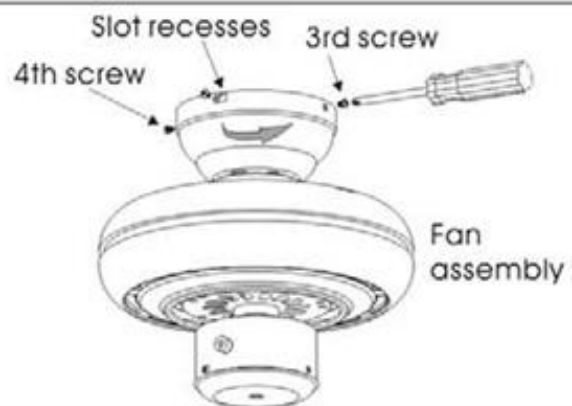
Follow diagram below.
Tighten all screws on the
connectors after
inserted all wires.



Note: Wires from house may vary in color.

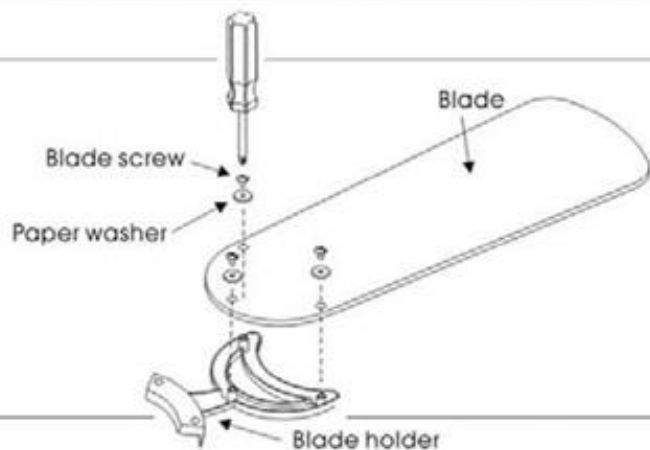
8. Canopy Installation

Carefully lift fan from mounting
plate hook.
Rotate canopy clockwise until
both mounting screws drop into
slot recesses. Tighten both s
screws, then install 3rd & 4th
screws.



9. Blades installation

Attach blade to blade holder
with blade screw & paper washer
provided in hardware bag.
Make sure that all screws are
firmly tightened.



10. Blades assembly to motor

Mount blade assembly to motor
housing by motor screws provided
from hardware bag.

NOTE:
Do not bend blade holder to
prevent wobble.

